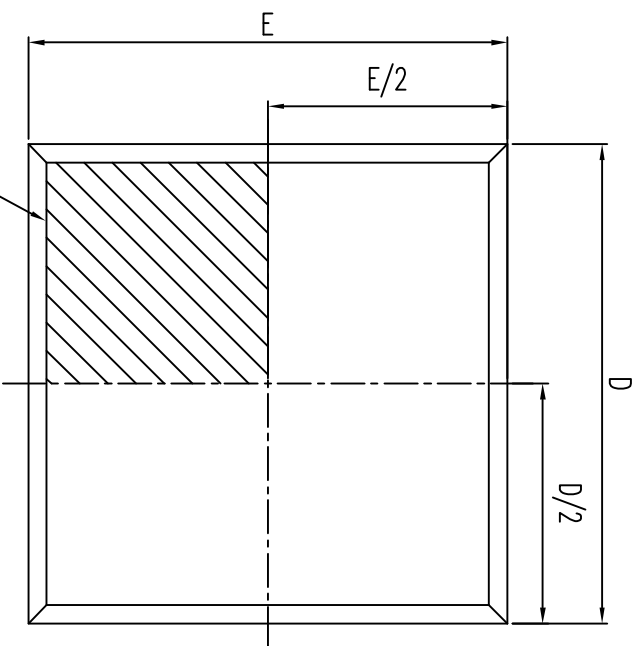
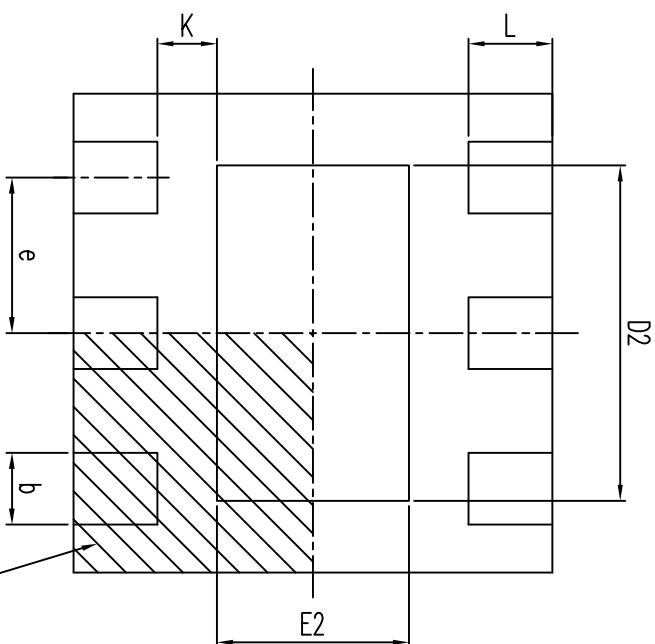


TOP VIEW



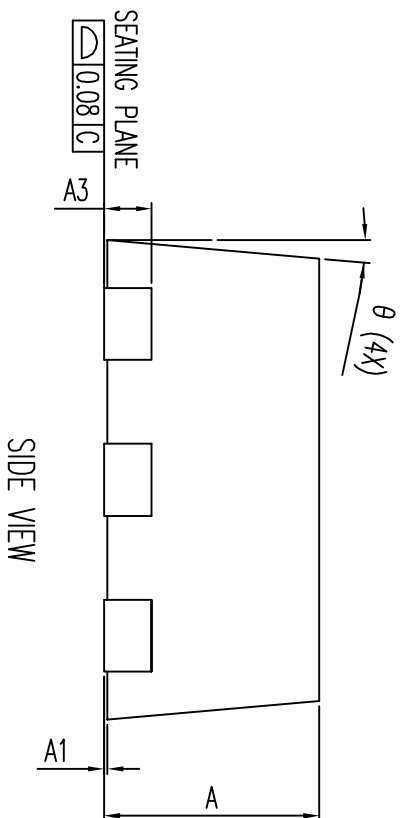
BOTTOM VIEW



SYMBOL	DIMENSION IN MM		
	MIN.	NOM.	MAX.
A	0.80	0.90	1.00
A1	0	0.02	0.05
A3	0.20 REF.		
D	2.00 BASIC		
D2	1.35	1.40	1.45
E	2.00 BASIC		
E2	0.75	0.80	0.85
e	0.65 BASIC		
b	0.25	0.30	0.35
L	0.30	0.35	0.40
K	0.20		
θ	0°		14°
JEDEC			

TERMINAL #1
INDEX AREA
(D/2 X E/2)

TERMINAL #1
INDEX AREA
(D/2 X E/2)



REV.	DESCRIPTION	BY	DATE
ORIG.	DRAWING ISSUE	SANDY CHEN	12.29.2014

Chant World Technology Inc.		<input type="checkbox"/>	
TITLE VDFN 6L PACKAGE OUTLINE BODY SIZE : 2 X 2 X 0.85 MM		XXXXX ±0.005 XXXXX ±0.035 XXXX ±0.05 XX ±0.1 XX ±0.2	ANGLUAR ± ROUGH- NESS SCALE 45 : 1
DESIGNED	SANDY CHEN 12.29.2014	UNIT	QTY
CHECKED	SANDY CHEN 12.29.2014	FILE NAME :	VDFN6L(2x2x0.85)
APPROVED	SANDY CHEN 12.29.2014	DWG. NO.:	CW-PJ-004A
			A3